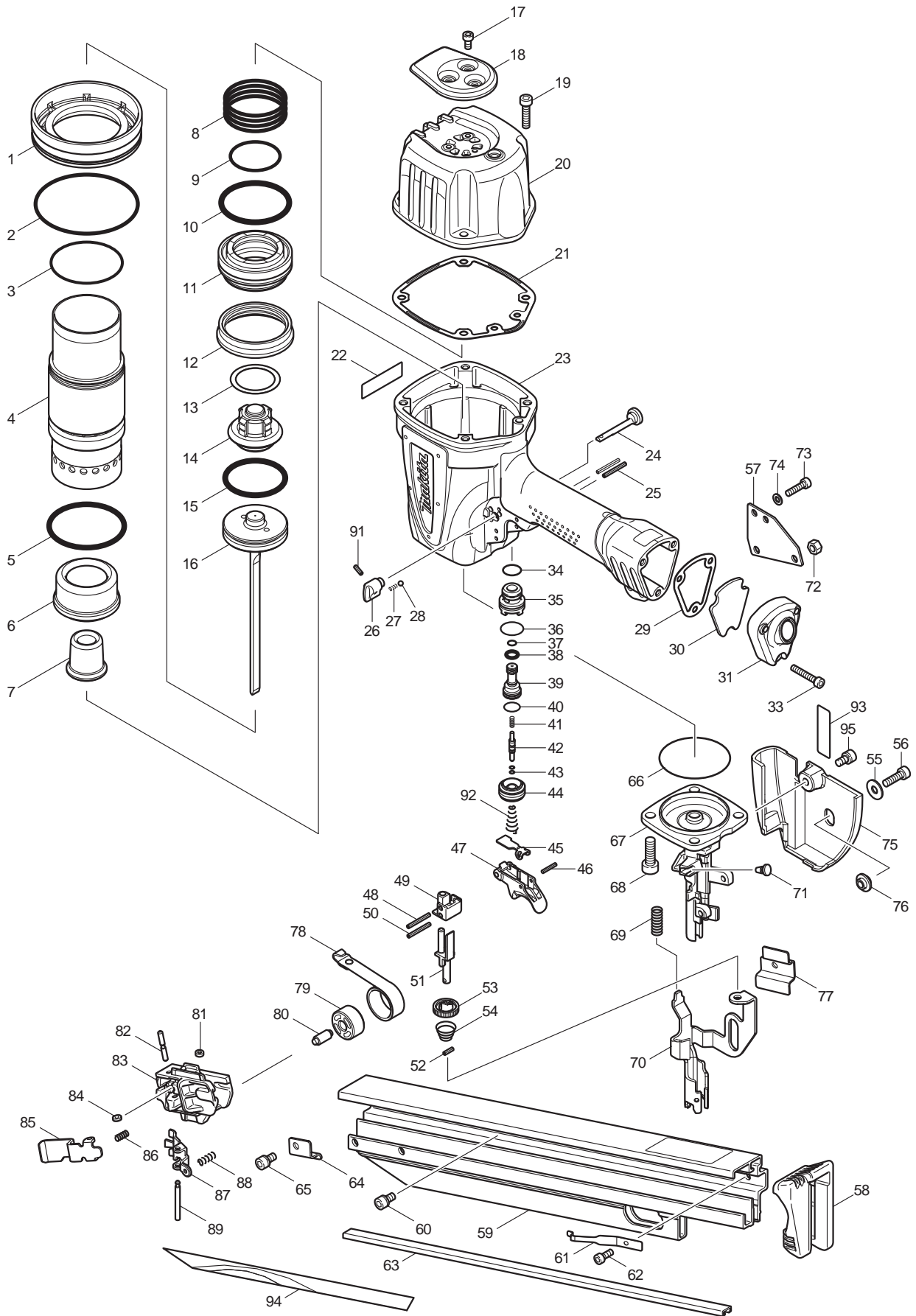




07 - 2010

AN923

FRAMING NAILER (ROUND HEAD)



Item No	Type	Ref	Part No	Description	Qty	Unit
1			419115-6	CYLINDER SEPARATOR	1	PC.
2			213809-3	O RING 87	1	PC.
3			213668-5	O RING 60	1	PC.
4			331700-4	CYLINDER	1	PC.
5			213667-7	O RING 60	1	PC.
6			421680-3	CUSHION F	1	PC.
7			421687-9	CUSHION GUIDE	1	PC.
8			233243-1	COMPRESSION SPRING 50	1	PC.
9			213504-5	O RING 40	1	PC.
10			213669-3	O RING 56	1	PC.
11			419114-8	HEAD VALVE	1	PC.
12			421925-9	VALVE SEAT	1	PC.
13			267742-1	WASHER 34	1	PC.
14			421924-1	CUSHION REAR	1	PC.
15			213619-8	O RING 49	1	PC.
16			154655-4	DRIVER COMPLETE	1	PC.
17			265499-8	HEX.SOCKET HEAD BOLT M5X10	3	PC.
18			345618-3	EXHAUST COVER	1	PC.
19			922342-1	HEX. SOCKET HEAD BOLT M6X25	4	PC.
20			317950-5	TOP CAP	1	PC.
21			162238-6	TOPCAP GASKET	1	PC.
23			154818-2	HOUSING COMPLETE	1	PC.
		INC.	421921-7	GRIP	1	PC.
		INC.	421922-5	HOUSING BUMPER R	1	PC.
		INC.	421923-3	HOUSING BUMPER L	1	PC.
		INC.	810681-0	CAUTION LABEL (ENG, FR, SP)	1	PC.
24			324117-8	LOCK PIN 8	1	PC.
25			951075-1	SPRING PIN 3-28	2	PC.
26			417824-1	LEVER 8	1	PC.
27			233368-1	COMPRESSION SPRING 3	1	PC.
28			216008-6	STEEL BALL 4	1	PC.
29			162239-4	INLET CAP GASKET	1	PC.
30			419356-4	INLET FILTER	1	PC.
31			317951-3	INLET CAP	1	PC.
33			922252-2	HEX. SOCKET HEAD BOLT M5X30	3	PC.
34			213176-6	O RING 14	1	PC.
35			417695-6	TRIGGER VALVE GUIDE	1	PC.
36			213262-3	O RING 18	1	PC.
37			213039-6	O RING 6	1	PC.
38			213040-1	O RING 8	1	PC.
39			317959-7	PILOT VALVE	1	PC.
40			213122-9	O RING 12	1	PC.
41			233239-2	COMPRESSION SPRING 3	1	PC.
42			324591-0	TRIGGER VALVE STEM	1	PC.
43			213044-3	O RING 3	2	PC.
44			318010-6	TRIGGER VALVE CASE	1	PC.
45			345687-4	IDLER	1	PC.
46			258004-8	SPRING PIN 2.5-16	1	PC.
47			419418-8	TRIGGER	1	PC.
48			951075-1	SPRING PIN 3-28	1	PC.
49			310165-3	HOLDER	1	PC.
50			951075-1	SPRING PIN 3-28	1	PC.
51			310166-1	STOPPER	1	PC.

Item No	Type	Ref	Part No	Description	Qty	Unit
52			951054-9	SPRING PIN 3-10	1	PC.
53			310163-7	ADJUSTER	1	PC.
54			231978-8	CONICAL COMP. SPRING 9-16	1	PC.
55			267300-3	FLAT WASHER 5	2	PC.
56			266369-4	HEX SOCKET HEAD BOLT M5X20	2	PC.
57			345627-2	JOINT	1	PC.
58			419120-3	MAGAZINE CAP	1	PC.
59			154824-7	MAGAZINE COMPLETE	1	PC.
		INC.	810799-7	CAUTION LABEL	1	PC.
60			266370-9	HEX SOCKET HEAD BOLT M6X12	2	PC.
61			345619-1	NAIL STOPPER	1	PC.
62			922217-4	HEX. SOCKET HEAD BOLT M5X14	1	PC.
63			345623-0	MAGAZINE RAIL	1	PC.
64			344765-7	HOLDER	1	PC.
65			266370-9	HEX SOCKET HEAD BOLT M6X12	1	PC.
66			213654-6	O RING 60	1	PC.
67			310167-9	DRIVER GUIDE	1	PC.
68			266368-6	HEX SOCKET HEAD BOLT M8X25	4	PC.
69			233463-7	COMPRESSION SPRING 10	1	PC.
70			345625-6	CONTACT ARM	1	PC.
71			421418-6	RUBBER PIN 9.5	1	PC.
72			931302-2	HEX. NUT M6	2	PC.
73			265498-0	HEX.SOCKET HEAD BOLT M6X20	1	PC.
74			267314-2	FLAT WASHER 7	1	PC.
75			419118-0	COVER	1	PC.
76			267743-9	SHOLDER WASHER 6	1	PC.
77			344766-5	HOLDER	1	PC.
78			163456-9	SPIRAL SPRING COMPLETE	1	PC.
79			419112-2	SPRING GUIDE	1	PC.
80			256428-2	PIN 5-8	1	PC.
81			262054-7	URETHANE RING 3	1	PC.
82			256770-1	PIN 4	1	PC.
83			419119-8	PUSHER LEVER	1	PC.
84			262054-7	URETHANE RING 3	1	PC.
85			345673-5	LOCK PLATE	1	PC.
86			231309-1	COMPRESSION SPRING 5	1	PC.
87			345624-8	PUSHER	1	PC.
88			233038-2	COMPRESSION SPRING 5	1	PC.
89			256489-2	PIN 4	1	PC.
91			951054-9	SPRING PIN 3-10	1	PC.
92			233908-5	CONICAL COMPRESSION SPRING4-11	1	PC.
93			810097-9	INDICATION LABEL	1	PC.
94			819199-8	INDICATION LABEL	1	PC.
95			266370-9	HEX SOCKET HEAD BOLT M6X12	1	PC.

ACCESSORIES

- See catalogue or visit www.makita.ca for more accessories -

A01			122742-7	HOOK ASSEMBLY	1	PC.
		INC.	233442-5	COMPRESSION SPRING 10	1	PC.
		INC.	257757-6	SLEEVE 10	1	PC.
		INC.	313125-4	JOINT	1	PC.
		INC.	951063-8	SPRING PIN 3-16	1	PC.
A02	1		192517-8	SAFETY GOGGLE	1	PC.
	2		195246-2	SAFETY GOGGLE	1	PC.

Item No	Type	Ref	Part No	Description	Qty	Unit
A03			181434-7	OIL SUPPLY 30CC	1	PC.
A04			194522-1	FIRST AID KIT	1	PC.